

# LUNERA SUSAN LAMP

## LED Replacement for Metal Halide Lamp

[400W / 320W] or [250W / 175W] E39 Mogul Base, Vertical Mount



### Description

The Susan Lamp is a plug-and-play replacement for Metal Halide (MH) lamps with an E39 mogul base. These lamps are available with an upright option for glass or acrylic fixtures. With a significantly lower energy consumption than conventional MH lamps, these LED lamps also replace 400W / 320W or 250W / 175W MH lamps.

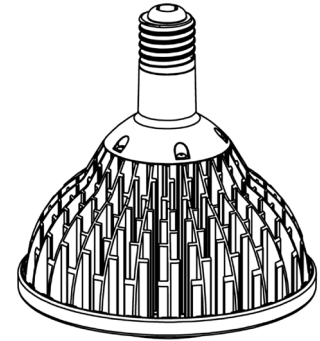
Lunera's BallastLED technology makes these lamps truly plug-and-play by allowing them to operate directly off of existing ballasts. Simply replace the existing MH lamp with the Susan Lamp without making any modifications to the fixture.

The Susan Lamp has a rated life of 50,000 hours – 5 times longer than that of MH lamps. This eliminates costly replacement cycles and reduces maintenance costs.

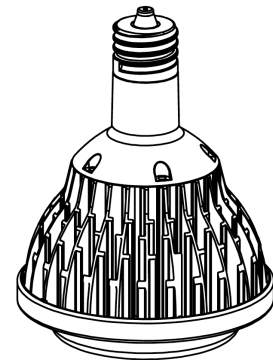
The Susan Lamp is available in a range of color temperatures including 3500K, 4000K and 5000K. It delivers consistent light levels across its long life, which results in a high quality lighting experience for the building's occupants.

### Features

- Replaces 400W / 320W or 250W / 175W metal halide (MH) lamps
- Uplight option to support glass/acrylic reflectors
- Plug and Play installation, with existing installed magnetic ballasts
- Works well in enclosed fixtures
- Ultra-low energy draw extends existing magnetic ballast life
- Up to 14,000 lumens fixture delivered light output
- 40W to 145W lamp power, yields 60%-80% energy savings
- >80 CRI
- CCT 3500, 4000 and 5000K
- Thermal IQ™ to support ambient temperatures up to 150°F



400W / 320W



250W / 175W

### Ordering Information

Example: SN-V-E39-400W-320W-4000-G2

Series	Version	Socket Type	Lamp Wattage Replaced	CCT	Generation
<b>SN:</b> Susan Lamp	<b>V:</b> Vertical <b>VU:</b> Vertical Uplight	<b>E39:</b> Fits in mogul (E39) base MH socket	<b>400W:</b> 400W (M59) / 320W (M132) <b>250-175W:</b> 250W (M58) / 175W (M57)	<b>3500:</b> 3500K <b>4000:</b> 4000K <b>5000:</b> 5000K	<b>G2:</b> 2nd Generation

PROJECT	CONTACT	MODEL NO.
REFERENCE NO.	QUANTITY	DATE

## Performance Specifications - Vertical Mount Lamp - 400W / 320W Version

	Driven by 400W (M59) Ballast	Driven by 320W (M132) Ballast
<b>Illumination</b>		
Color Temperatures	3500K, 4000K, 5000K	3500K, 4000K, 5000K
Lumens	3500K: 12,000 lm	3500K: 11,000 lm
	4000K: 13,000 lm	4000K: 12,000 lm
	5000K: 14,000 lm	5000K: 12,000 lm
Color Consistency	Lunera TruColor™ proprietary process	Lunera TruColor™ proprietary process
Lumen Maintenance (L70)	50,000+ hours life	50,000+ hours life
<b>Electrical System</b>		
Input Voltage	Driven by magnetic MH ballast	Driven by magnetic MH ballast
Power Consumption	146W	121W
Lamp Wattage Replaced	400W	320W
<b>Physical</b>		
Dimensions (H x W)	9.4" x 8.2"	9.4" x 8.2"
Weight	3.75 lbs	3.75 lbs
Housing and Finish	Painted	Painted
Heat Sink Size	8"	8"
<b>Environment</b>		
Ambient Temperature	-40°F to 150°F*	-40°F to 150°F*
Humidity Rating	Damp OK, no direct water spray	Damp OK, no direct water spray
Fixture Type	Open or enclosed	Open or enclosed
<b>Installation</b>		
Socket Type	Fits vertical mount mogul base (E39/EX39) MH socket	Fits vertical mount mogul base (E39/EX39) MH socket
Ballast Types Supported	M59, M128, M135, M155	M131, M132
<b>Certifications &amp; Qualifications</b>		
UL	Recognized US, CAN	Recognized US, CAN
RoHS Compliant	Contains no lead or mercury	Contains no lead or mercury
LM79, LM80, IES Files	Complete	Complete
<b>Warranty</b>		
Warranty	5 years	5 years

\*Thermal IQ™ is a proprietary Lunera technology which enables the Susan Lamp to operate reliably up to 150°F ambient by dimming itself at extreme temperatures based upon thermal characteristics of the fixture in which it has been installed.

\* Lamp dimming profiles subject to fixture type and environmental conditions. Contact Lunera for more detailed information.

## Performance Specifications - Vertical Mount Lamp - 250W / 175W Version

	Driven by 250W (M58) Ballast	Driven by 175W (M57) Ballast
<b>Illumination</b>		
Color Temperatures	3500K, 4000K, 5000K	3500K, 4000K, 5000K
Lumens	3500K: 8,500 lm	3500K: 7,600 lm
	3500K: 8,700 lm	4000K: 7,800 lm
	5000K: 9,000 lm	5000K: 8,300 lm
Color Consistency	Lunera TruColor™ proprietary process	Lunera TruColor™ proprietary process
Lumen Maintenance (L70)	50,000+ hours life	50,000+ hours life
<b>Electrical System</b>		
Input Voltage	Driven by magnetic MH ballast	Driven by magnetic MH ballast
Power Consumption	86W	72W
Lamp Wattage Replaced	250W	175W
<b>Physical</b>		
Dimensions (H x W)	8.5" x 6.1"	8.5" x 6.1"
Weight	2.5 lbs	2.5 lbs
Housing and Finish	Painted	Painted
Heat Sink Size	6"	6"
<b>Environment</b>		
Ambient Temperature	-40°F to 150°F*	-40°F to 150°F*
Humidity Rating	Damp OK, no direct water spray	Damp OK, no direct water spray
Fixture Type	Open or enclosed	Open or enclosed
<b>Installation</b>		
Socket Type	Fits vertical mount mogul base (E39/EX39) MH socket	Fits vertical mount mogul base (E39/EX39) MH socket
Ballast Types Supported	M58, M80, M138	M57, M137
<b>Certifications &amp; Qualifications</b>		
UL	Recognized US, CAN	Recognized US, CAN
RoHS Compliant	Contains no lead or mercury	Contains no lead or mercury
LM79, LM80, IES Files	Complete	Complete
<b>Warranty</b>		
Warranty	5 years	5 years

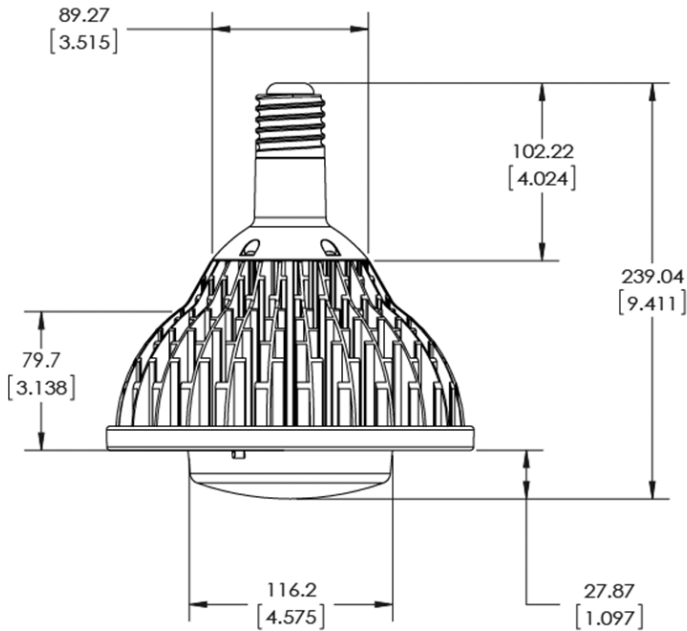
\*Thermal IQ™ is a proprietary Lunera technology which enables the Susan Lamp to operate reliably up to 150°F ambient by dimming itself at extreme temperatures based upon thermal characteristics of the fixture in which it has been installed.

\* Lamp dimming profiles subject to fixture type and environmental condition. Contact Lunera for more detailed information.

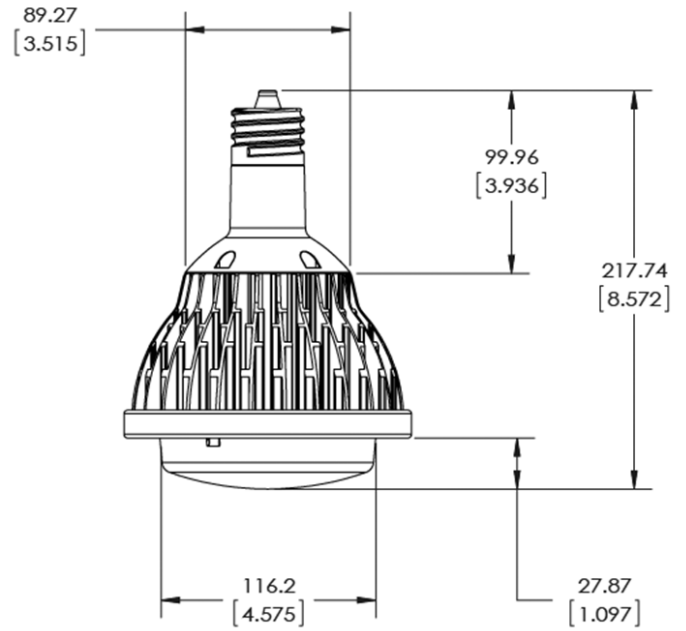
## Product Dimensions

Measurements are rounded up. Dimensions are shown in millimeters. Please contact your Lunera representative for exact dimensions.

### 400W / 320W



### 250W / 175W



## CAUTION

- This lamp is NOT approved for use in line voltage.

© 2015 Lunera Lighting, Inc. All Rights Reserved. Lunera and the Lunera logo are registered trademarks; Lunera TruColor and Thermal IQ, are trademarks of Lunera Lighting, Inc. All other trademarks are the property of their respective owners.

Specifications are subject to change without notice. This document is for informational purposes only.